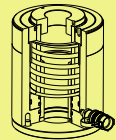


RSCH Series



Capacity:
13-95 ton

Stroke:
8-155 mm

Center Hole Diameter:
19.6-79.0 mm

Maximum Operating Pressure:
700 bar

RSCH 液壓單動，中空型千斤頂

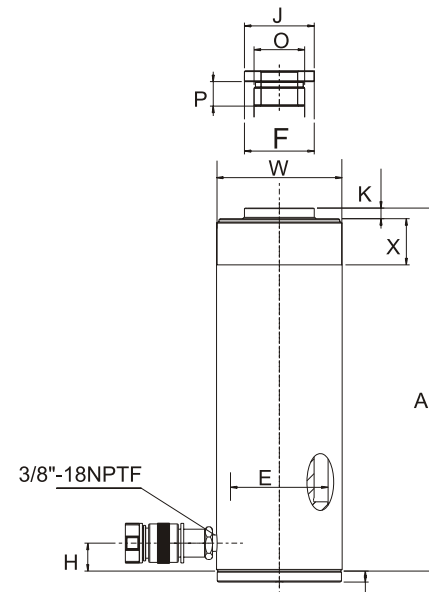
- 中空柱塞設計，適用於推力及拉力之應用。
- 低外型、高揚程適用於緊塞空間。
- 液壓缸在最大行程亦能承載最大荷重。
- 外螺牙便於固定且各均附螺牙保護套。
- 特製中空襯管保護主軸及液壓缸內壁增加產品壽命。
- 主軸及液壓缸內壁硬鉻處理耐磨、抗腐蝕。
- 彈簧回縮。
- 防塵環設計可保護活塞、內徑及襯管避免污染。
- 上螺帽保護主軸超揚昇。
- 表面粉體塗裝美觀抗腐蝕、防銹。
- 各型號均含SQB-3/8UF快速接頭及防塵蓋。

Single-Acting, Hollow Plunger Cylinders

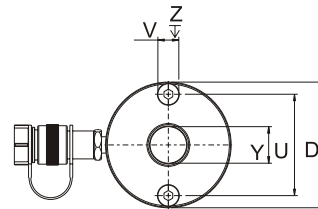
- ※Hollow plunger design allows for pulling and pushing application.
- ※Low profile and longer strokes fit in the tightest space.
- ※Withstands full "dead-end" loads.
- ※Collar threads for easy fixturing and all collar threads have a cap for protection.
- ※Special center tube protect plunger and inner of cylinder increases product life.
- ※Hard chrome plated plunger and inner of barrel resists wear and corrosion.
- ※Spring returning.
- ※Wiper rings protect the piston, bore & tube from contamination.
- ※Stop ring for piston blow-out protection.
- ※Powder coat finish for increased corrosion resistance and antirust.
- ※Come with SQB-3/8UF female coupler & dust cap.

	焊提把 Weldable
	吊環螺柱 Eyebolt
	活動提把 Removable strap handles
	螺牙式活動提把 Thread

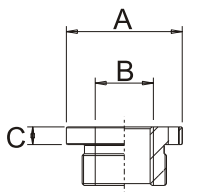
提把型式 Handle type
(S) : 標準配件 standard equipped
(O) : 選配 option
● 焊提把 Weldable
★ 吊環螺柱 Eyebolt
▲ 活動提把 Removable strap handles
■ 螺牙式活動提把 Thread



缸底墊塊 Steel baseplate :
12ton serial : 8mm
20~30ton serial : 10mm
60ton serial : 12mm
100ton serial : 16mm



缸底墊塊底座螺孔
This drawing show the base mounting holes of barrel before setting steel base plate.



Cylinder Model/Cap.	Model Number	墊塊尺寸 Saddle Dimensions		
		A (mm)	B (in)	C (mm)
RSCH-202,206	XKHCH-20	53	1"-8	9
RSCH-302,306	XKHCH-30	63	1-1/4"-7	9
RSCH-603,606	XKHCH-60	91	1-5/8"-5-1/2	12
RSCH-1003	XKHCH-100	126	2-1/2"-8	13

*所有 RSCH 系列千斤頂標準配置平滑中孔墊塊 (12噸系列不配置墊塊)
※Smooth hollow saddles are standard on all RSCH series.
(12ton models are not equipped with saddles.)

RSCH-120
● RSCH-120 附有 1/4 NPT 孔配裝 SQB3/8UF 快速接頭
※ RSCH-120 includes SQB-3/8UF coupler and has 1/4 NPT port.

Handle type	Model Number	Cylinder Capacity	外部尺寸 Outer Dimension							
			Stroke	Cylinder Effective Area	Oil Cap.	Collapsed Height	Ext. Height	Out. Diam.	Cylinder Bore Diam.	Plngr. Diam.
提把型式 (S)	型號	能力 ton(kN)	揚程 (mm)	受壓面積 (cm ²)	總油量 (cm ³)	本身高 A (mm)	伸長總高 (mm)	外徑 D (mm)	內徑 E (mm)	主軸直徑 F (mm)
	RSCH-120	13(125)	8	17.9	14	55	63	69	54.1	35.1
	RSCH-121		42	17.9	75	120	162	69	54.1	35.1
	RSCH-1211		42	17.9	75	120	162	69	54.1	35.1
	RSCH-123		76	17.9	136	184	260	69	54.1	35.1
●	RSCH-202	20(215)	49	30.7	150	162	211	98	73.1	54.1
●	RSCH-204		102	30.7	311	242	344	98	73.1	54.1
●	RSCH-206		155	30.7	476	306	461	98	73.1	54.1
●	RSCH-302	30(326)	64	46.6	298	178	242	114	88.9	63.5
●	RSCH-304		102	46.6	473	233	335	114	88.9	63.5
●	RSCH-306		155	46.6	722	330	485	114	88.9	63.5
▲	RSCH-603	60(576)	76	82.3	626	247	323	159	123.9	91.9
▲	RSCH-606		153	82.3	1259	323	476	159	123.9	91.9
▲	RSCH-1003	95(931)	76	133.0	1011	254	330	212	165.1	127.0

外部尺寸 Outer Dimension			牙紋尺寸 Threads Dimension					底座螺孔 Base Mounting Holes			Weight
Cyl. Base to Advance Port	Saddle Diam.	Saddle Protr. from Plngr.	Plunger Internal Thread	Plunger Thread Length	Collar Thread	Collar Thread Length	Center Hole Diam.	Bolt Circle	Thread	Thread Depth	
底部前進油孔位置 H (mm)	墊塊直徑 J (mm)	凸出高度 K (mm)	主軸內牙 O (in)	內牙深度 P (mm)	油缸外牙 W (in)	外牙長度 X (mm)	中孔直徑 Y (mm)	底孔孔距 U (mm)	底座螺紋 V (in)	螺紋深度 Z (mm)	總重 (kg)
9	—	—	3/4"-16UN	16	2 3/4"-16	30	19.6	50.8	5/16"-18UNC	9.0	1.70
19	—	—	—	—	2 3/4"-16	30	19.6	50.8	5/16"-18UNC	9.0	3.00
19	—	—	3/4"-16UN	16	2 3/4"-16	30	19.6	50.8	5/16"-18UNC	9.0	3.00
19	—	—	—	—	2 3/4"-16	30	19.6	50.8	5/16"-18UNC	12.7	4.60
19	54	6.9	1 9/16"-16UN	19	3 7/8"-12	38	26.9	82.6	3/8"-16UNC	9.4	8.20
19	54	6.9	1 9/16"-16UN	19	3 7/8"-12	38	26.9	82.6	3/8"-16UNC	9.4	10.50
19	54	6.9	1 9/16"-16UN	19	3 7/8"-12	38	26.9	82.6	3/8"-16UNC	9.4	14.60
22	63	9.7	1 13/16"-16UN	22	4 1/2"-12	42	33.3	92.2	3/8"-16UNC	14.0	11.55
22	63	9.7	1 13/16"-16UN	22	4 1/2"-12	42	33.3	92.2	3/8"-16UNC	14.0	14.75
25	63	9.7	1 13/16"-16UN	22	4 1/2"-12	42	33.3	92.2	3/8"-16UNC	14.0	22.45
31	91	12.7	2 3/4"-16UN	19	6 1/4"-12	48	53.8	130.3	1/2"-13UNC	14.0	29.70
31	91	12.7	2 3/4"-16UN	19	6 1/4"-12	48	53.8	130.3	1/2"-13UNC	14.0	37.00
38	126	12.7	4"-16UN	25	8 3/8"-12	60	79.0	177.8	5/8"-11UNC	19.0	66.60